

LIMITED WARRANTY

All equipment which is sold under FORGE trademark and used for commercial purposes is warranted against defects in materials and workmanship. The warranty runs for two years from the date of original installation and is for the benefit of the original purchaser only. All other Warranties, expressed or implied, statutory or otherwise, including without limitations any implied Warranty of Merchantability or fitness for purpose are excluded. The Seller shall in no event be liable for direct, indirect or consequential damages in connection with FORGE commercial products.

The Sellers obligation under this Warranty is limited to the repair of defects without charge. Defective units must be taken or shipped, transportation charges prepaid, to FORGE.

This Warranty is not effective if damage occurs because of accident, carelessness, improper installation, lack of proper set-up, supervision when required or if the equipment is installed or operated in any manner contrary to the installation and operating instructions. In these cases, repairs will be made at a reasonable cost. Work performed by unauthorized personnel or unauthorized service agencies using non FORGE spares voids this Warranty.



NB:

REGISTER ON-LINE TODAY

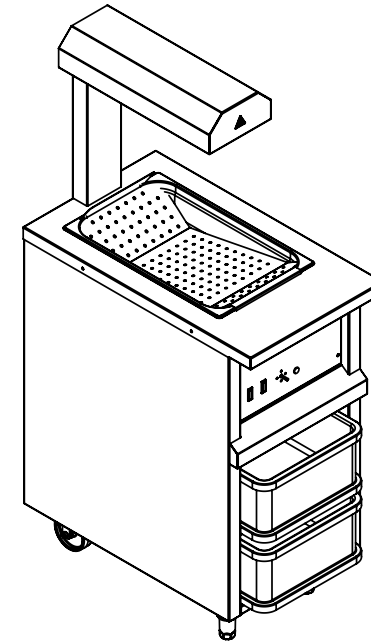
Register your warranty on-line now at www.forgequip.com

NO WEB ACCESS

If you do not have access to the Web. Kindly register by completing the warranty registration form and fax it to the FORGE office in the country of purchase.

Failure to do so will invalidate your warranty.

CHIP DUMP



**INSTALLATION OPERATION AND CARE OF
CHIP DUMP
MODELS: CDF0001**

UNPACKING

Unpack the product and check for any damage incurred during transit. This should be reported to the responsible carrier, railway or postal authority and a request for a damage report should be made.






THESE INSTRUCTIONS MUST BE FOLLOWED FOR US TO GUARANTEE OUR FULL SUPPORT OF YOUR CLAIM FOR PROTECTING AGAINST LOSS FROM CONCEALED DAMAGE. THE FORM FOR FILING SUCH A CLAIM WILL BE PROVIDED BY THE CARRIER.

GENERAL INSTALLATION

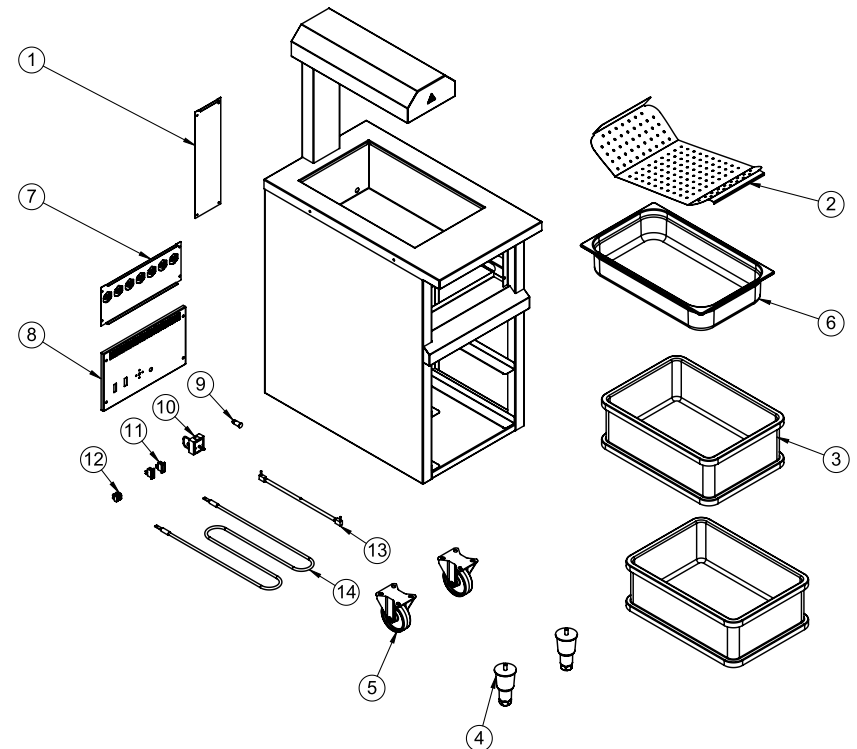
1. Ensure that the unit is positioned on a level counter at least 150mm away from a wall or another appliance to allow for sufficient ventilation of the unit and also reducing the potential of a fire hazard.
2. Plug unit into an earthed 240V AC supply

OPERATING INSTRUCTIONS

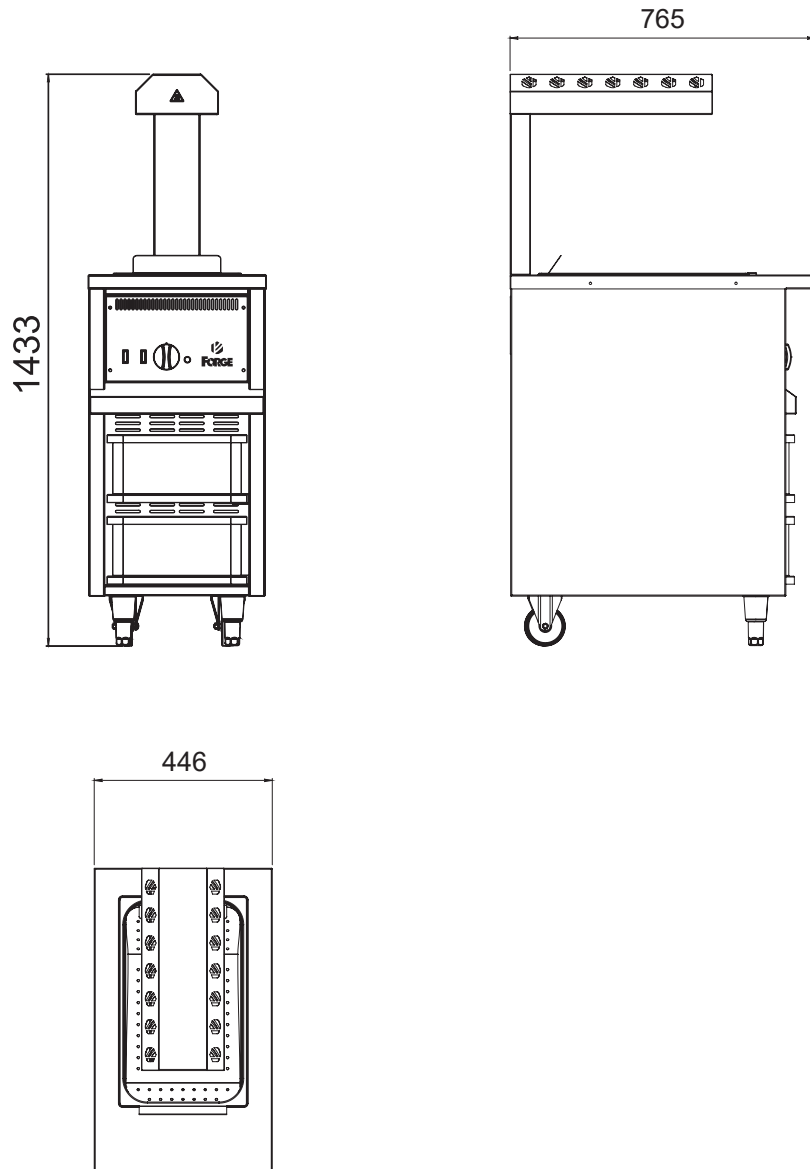
1. Plug appliance to a mains outlet and turn the mains switch  on. The switch will illuminate confirming power to the unit.
2. Turn on the top heater switch . The infra red heating lamp will switch on.
3. The unit will warm up to operating temperature in approximately 15 minutes.
4. The bottom element is energized with the energy regulator knob marked 0-6  Note that in position 6 the element will remain energized continuously.
4. Avoid piling cooked chips more than two layers on a chip dump - Chips that are piled too high will steam themselves and go soggy very quickly.
5. Keep hold time to a minimum - Keep regular chips under the chip warmer for no more than 7 minutes.

PARTS DIAGRAM CHIP DUMP: CDF0001

ITEM NO.	TITLE	QTY.
1	BACK COVER	1
2	SCOOP INSERT	1
3	STORAGE TRAY	2
4	FOOT	2
5	NYLON WHEEL	2
6	GASTRONORM CONTAINER A SERIES 530 X 327 X 100 X 0.6MM	1
7	INSPECTION COVER	1
8	CONTROL FACIA	1
9	NEON LIGHT RED	1
10	ENERGY REGULATOR 230V	1
11	ROCKER SWITCH	2
12	CONNECTOR BLOCK	1
13	IR HEATER 1500W 354MM	1
14	750W ELEMENT	1



**POSITIONING DIAGRAM
CHIP DUMP
CDF0001**



WARNING

Electric Shock Hazard.

Keep water and other liquids from entering the inside of the equipment. Liquid inside the equipment could cause an electrical shock.

Do not spray water or cleaning products. Liquid could contact the electrical components and cause a short circuit or an electrical shock. Do not use equipment if power cord is damaged or has been modified.

SAFETY

READ ALL INSTRUCTIONS BEFORE USE. FAILURE TO FOLLOW THESE PRECAUTIONS COULD RESULT IN INJURY TO YOURSELF AND OTHERS

1. When this appliance is to be positioned in close proximity to walls, partitions, kitchen furniture, decorative finishes, etc. it is recommended that they be made of non-combustible material. If not, they shall be clad with a suitable non-combustible heat insulating material, and the closest attention be paid to fire prevention regulations.
2. Use the multifunction warmer on an individual 15A mains outlet only. **DO NOT OVERLOAD THE CIRCUIT.**
3. Ensure that the equipment and the power supply cord does not come into contact with hot surfaces.
4. Supervision is necessary when the appliance is used in close proximity to children.
5. If the supply cord is damaged, it must be replaced with a new cord assembly available from the suppliers agent. The cord shall be an oil resistant sheathed flexible cable not lighter than ordinary polychloroprene or equivalent synthetic elastomer - sheathed cord (code designation 60245 IEC 57)
6. Use only earthed outlets matching the serial plate voltage.
7. Have equipment installed by a qualified personnel in accordance with local codes and ordinances.
8. Use equipment in a flat level position.
9. Do not operate unattended
10. The equipment may be hot, even though the pilot light is not on.
11. Do not operate if equipment has been damaged or is malfunctioning in any way.
12. These units are designed to run only on alternating current (A.C.) **DO NOT CONNECT TO DIRECT CURRENT (D.C)**

